
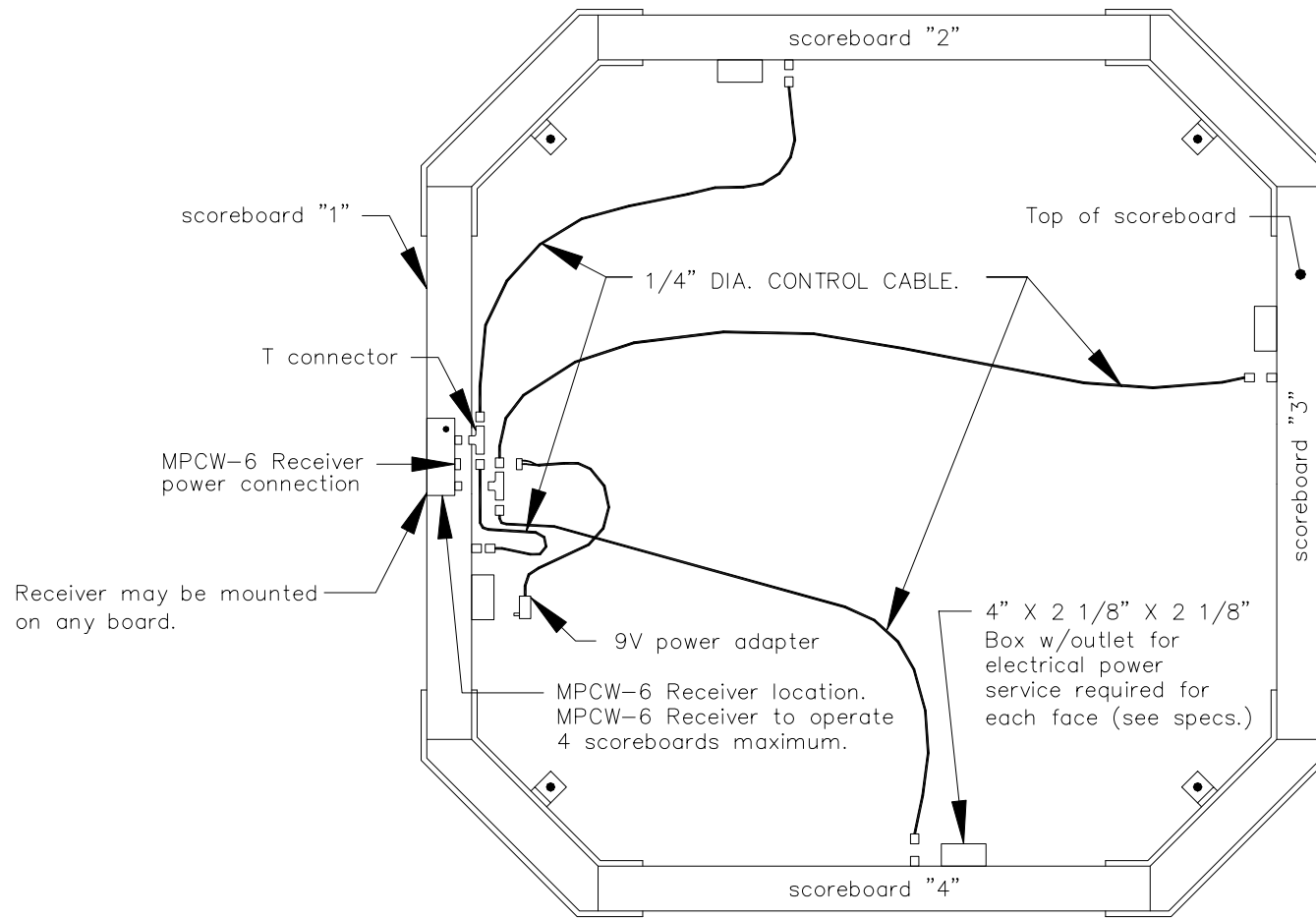


THIS SCOREBOARD IS INTENDED TO BE INSTALLED IN ACCORDANCE WITH THE REQUIREMENTS OF ARTICLE 600 OF THE NATIONAL ELECTRICAL CODE AND/OR OTHER APPLICABLE LOCAL CODES. THIS INCLUDES PROPER GROUNDING AND BONDING OF THE SCOREBOARD.

**NOTES**

1. MAKE CONNECTION TO EYEBOLT PER OWNER'S SPECIFICATIONS.
2. ANCHORS AT CEILING FURNISHED BY OWNER.
3. WIRE ROPE CABLE EACH CORNER SIZE AS REQUIRED TO SUPPORT SCOREBOARD. CABLE FURNISHED BY OWNER.


|  |              |   |
|--|--------------|---|
| TYP. PERMANENT INSTALLATION<br>4-FACE-2610 |              | <br>NEVCO SCOREBOARD CO.<br>GREENVILLE, ILLINOIS 62246 |
|  |              |   |
| DRAWN BMK                                  | DATE 4/22/04 | SHEET 1 OF 1  |

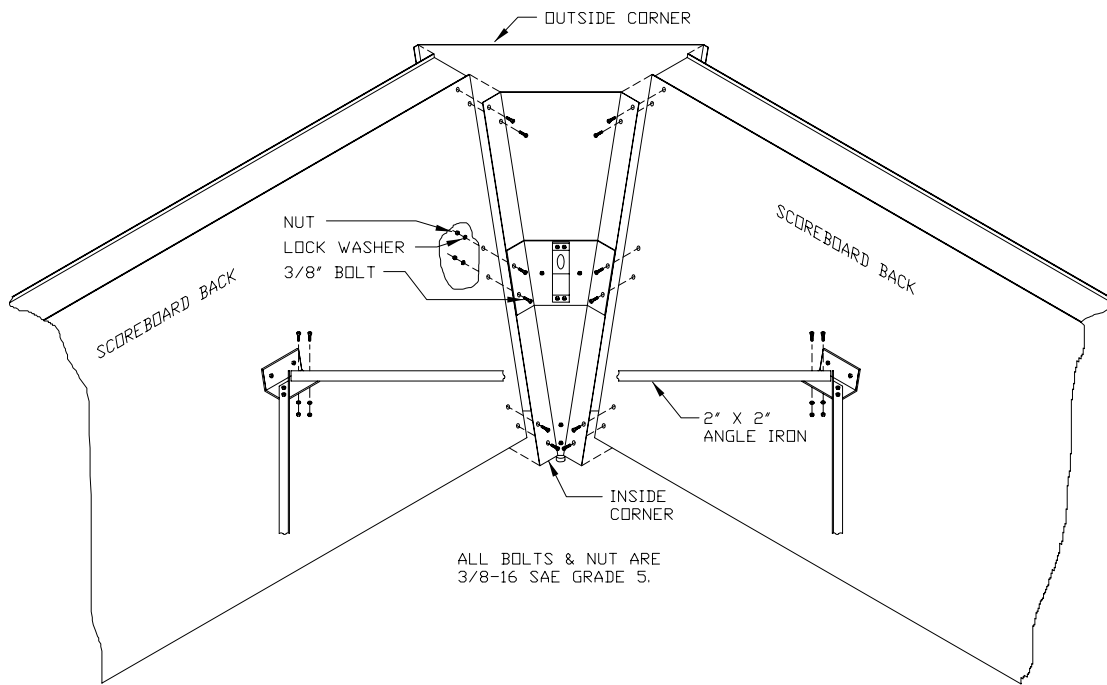


MPCW-6 RECEIVER TOP  
VIEW OF 4-FACE SCOREBOARD

NOTES:

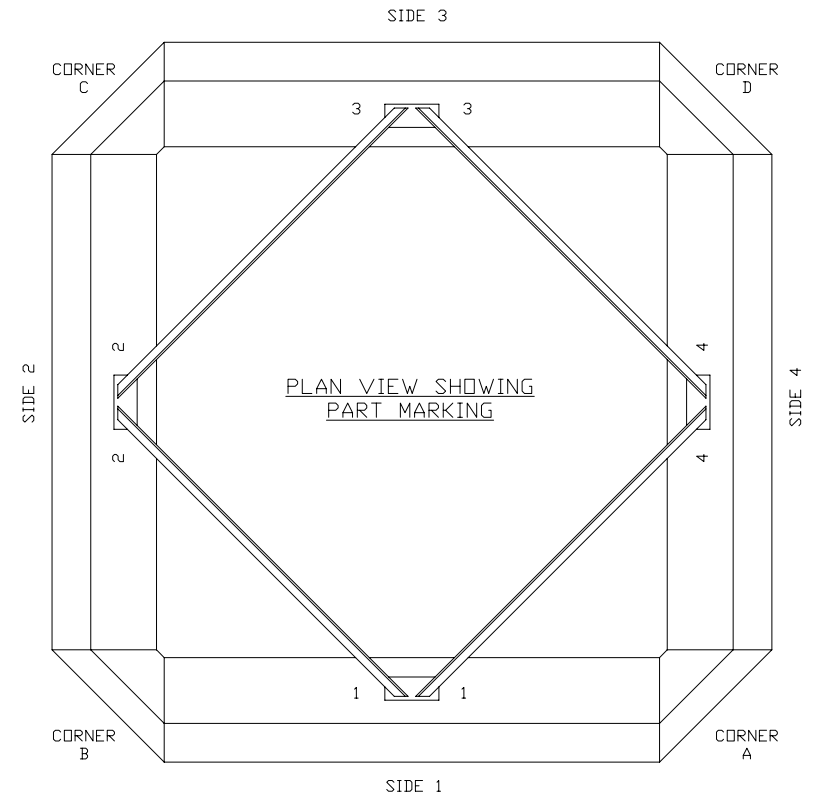
1. If a sign is added to the top of the scoreboard the receiver must be placed on top of the sign.
2. Use power adapter extension if signs are mounted to the top of scoreboard.
3. To independently operate each scoreboard face, each face must have its own MPCW receiver.

|  |               |   |
|--|---------------|---|
| RECEIVER MOUNTING<br>DETAIL, 4-FACE<br>SCOREBOARD W/1<br>MPCW-6 RECEIVER |               | <br>NEVCO SCOREBOARD CO.<br>GREENVILLE, ILLINOIS 62246 |
|  |               |   |
| DRAWN BMK  | DATE 11/01/04 | SHEET 1 OF 1  |

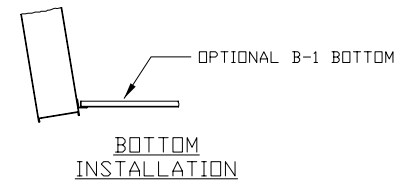


ALL BOLTS & NUT ARE  
3/8-16 SAE GRADE 5.

CORNER ASSEMBLY DETAIL



PLAN VIEW SHOWING  
PART MARKING



BOTTOM  
INSTALLATION

TYP. ASSEMBLY  
4-FACE  
SCOREBOARD

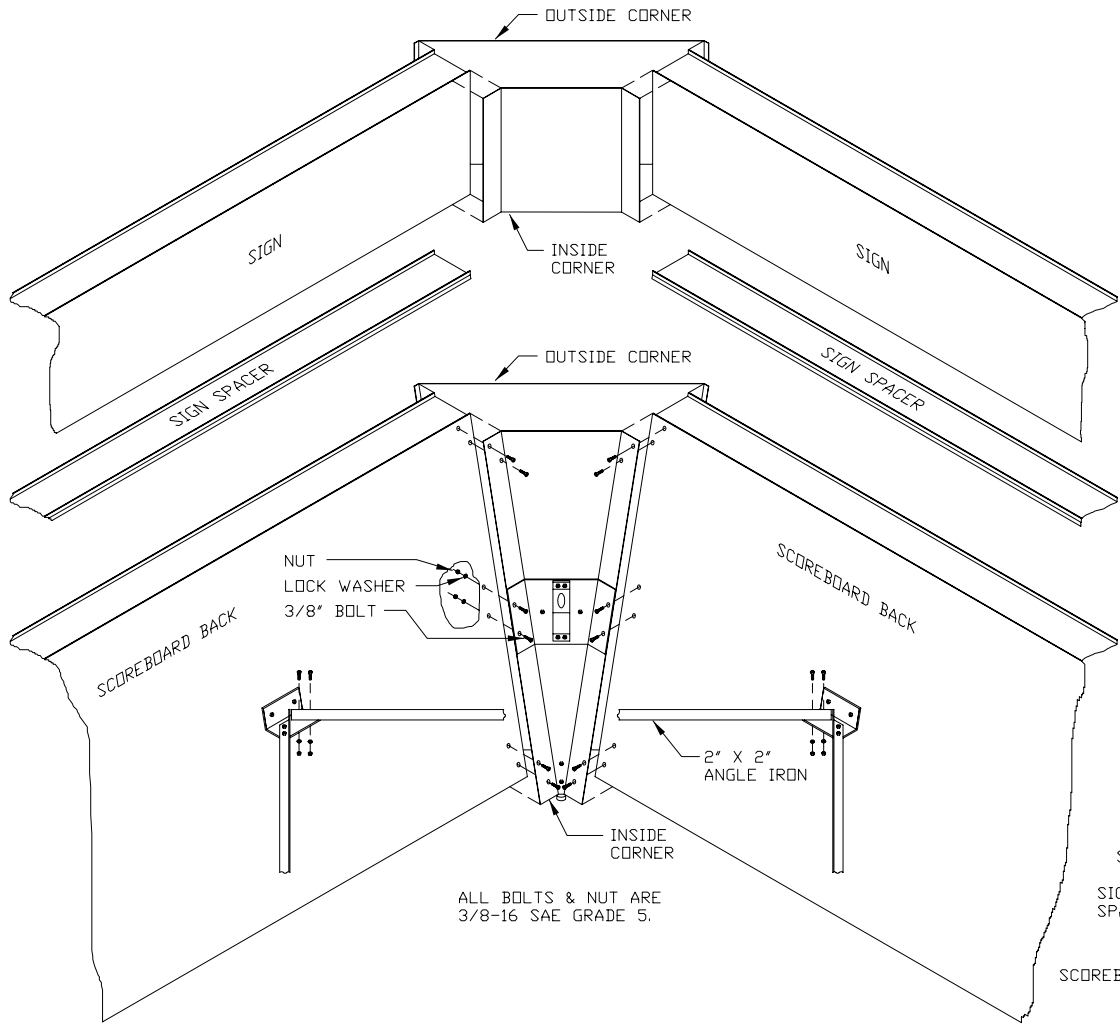


NEVCO SCOREBOARD CO.  
GREENVILLE, ILLINOIS 62246

DRAWING NO. D1888

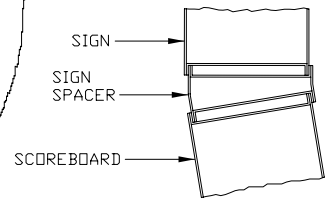
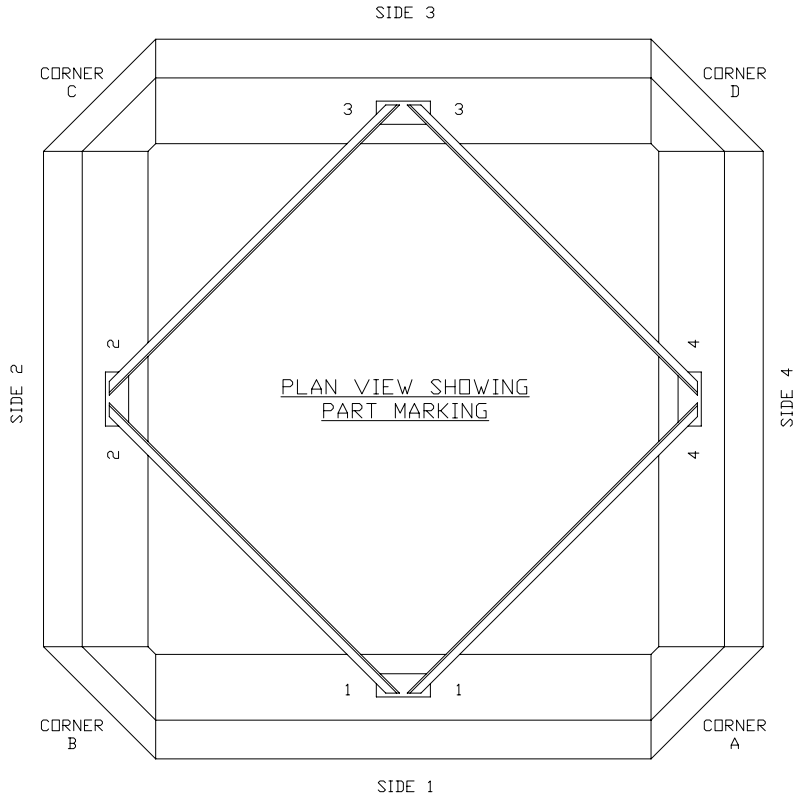
DRAWN HW DATE 5-6-75 SHEET 1 OF 1

NOTE  
REMOVE EACH SIGN FACE FOR ACCESS TO  
POWER CONNECTIONS. ADD HOLES IN REAR  
OF SIGNS FOR POWER ENTRANCE.

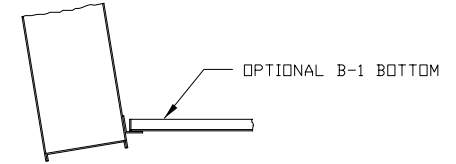


ALL BOLTS & NUT ARE  
3/8-16 SAE GRADE 5.


CORNER ASSEMBLY DETAIL



SIGN ATTACHMENT  
DETAIL



BOTTOM  
INSTALLATION

|  |              |   |
|--|--------------|---|
| TYP. ASSEMBLY<br>4-FACE<br>SCOREBOARD<br>WITH AD SIGNS<br>OR ADL SIGNS |              | <br>NEVCO SCOREBOARD CO.<br>GREENVILLE, ILLINOIS 62246 |
| DRAWING NO. D3108  |              |   |
| DRAWN HW   | DATE 1-30-79 | SHEET 1 OF 1  |