


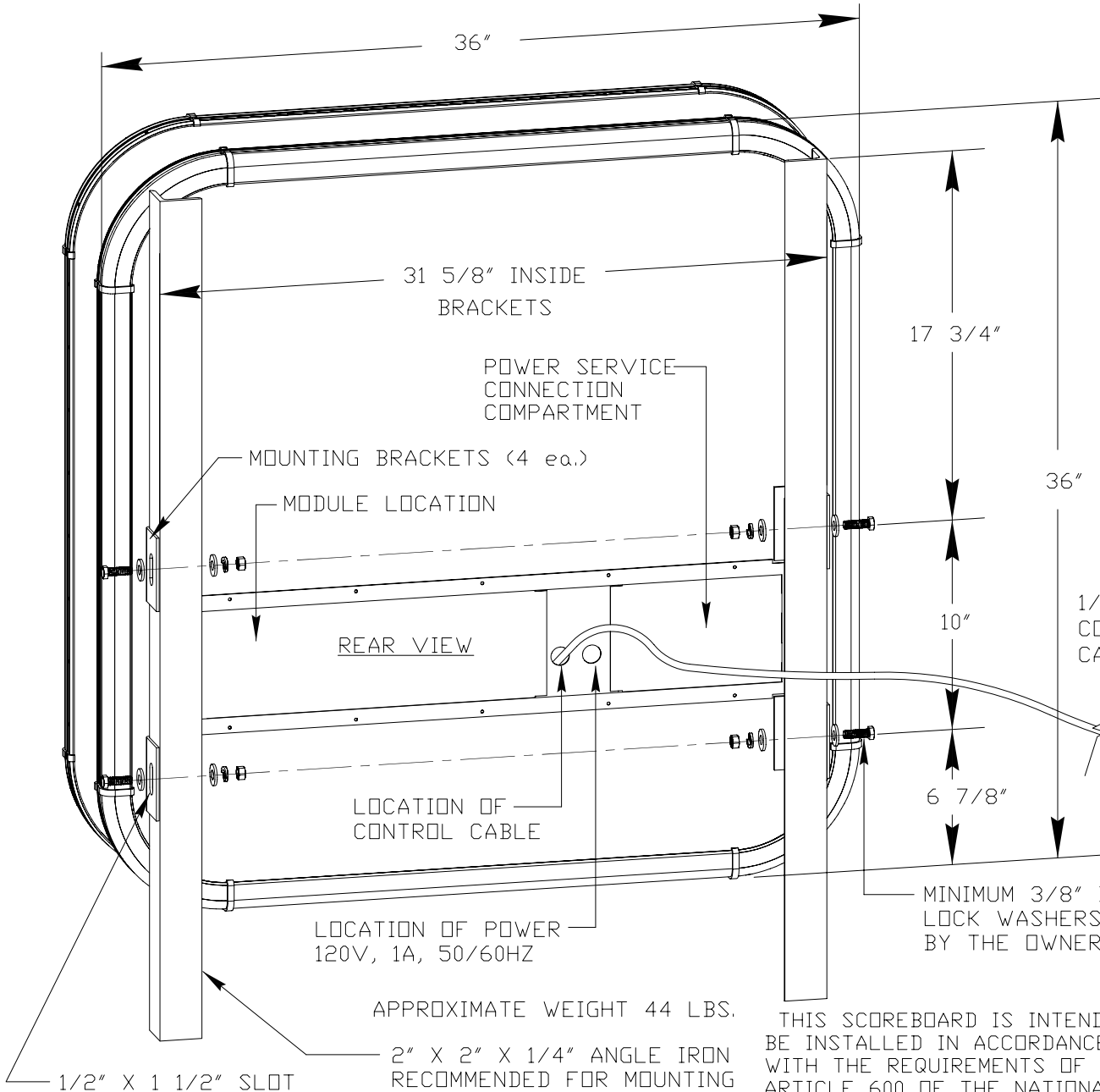
THIS SCOREBOARD IS INTENDED TO BE INSTALLED IN ACCORDANCE WITH THE REQUIREMENTS OF ARTICLE 600 OF THE NATIONAL ELECTRICAL CODE AND/OR OTHER APPLICABLE LOCAL CODES. THIS INCLUDES PROPER GROUNDING AND BONDING OF THE SCOREBOARD.

MINIMUM 3/8" BOLTS, FLAT WASHERS, LOCK WASHERS & NUT TO BE SUPPLIED BY THE OWNER.

REAR VIEW

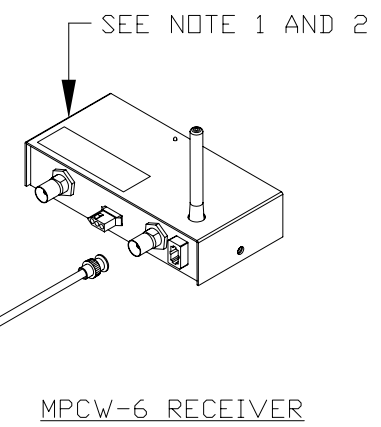
2" X 2" X 1/4" ANGLE IRON RECOMMENDED FOR MOUNTING OF THE SHOT CLOCK. ANGLE IRON IS SUPPLIED BY OWNER.

INSTALLATION SCD-T5 2-WIRE OPERATION		 NEVCO SCOREBOARD CO. GREENVILLE, ILLINOIS 62246
DRAWING NO. C6687		
DRAWN HW	DATE 12/31/96	SHEET 1 OF 1



NOTE

1. FOR MPCW-6 RECEIVER AND CONTROL INFORMATION SEE C9922.
2. FOR OPTIONAL MOUNTING FOR THE MPCW-6 RECEIVER SEE PRINT C9789.




MINIMUM 3/8" BOLTS, FLAT WASHERS, LOCK WASHERS & NUT TO BE SUPPLIED BY THE OWNER.

FOR INDOOR USE, DRY LOCATION

APPROXIMATE WEIGHT 44 LBS.
 2" X 2" X 1/4" ANGLE IRON RECOMMENDED FOR MOUNTING OF THE SHOT CLOCK. ANGLE IRON IS SUPPLIED BY OWNER.

THIS SCOREBOARD IS INTENDED TO BE INSTALLED IN ACCORDANCE WITH THE REQUIREMENTS OF ARTICLE 600 OF THE NATIONAL ELECTRICAL CODE AND/OR OTHER APPLICABLE LOCAL CODES. THIS INCLUDES PROPER GROUNDING AND BONDING OF THE SCOREBOARD.

INSTALLATION FOR SCD-T5 W/MPCW-6 WIRELESS OPERATION		 NEVCO SCOREBOARD CO. GREENVILLE, ILLINOIS 62246
DRAWN HW DATE 8/30/05		
SHEET 1 OF 1		DRAWING NO. C10114